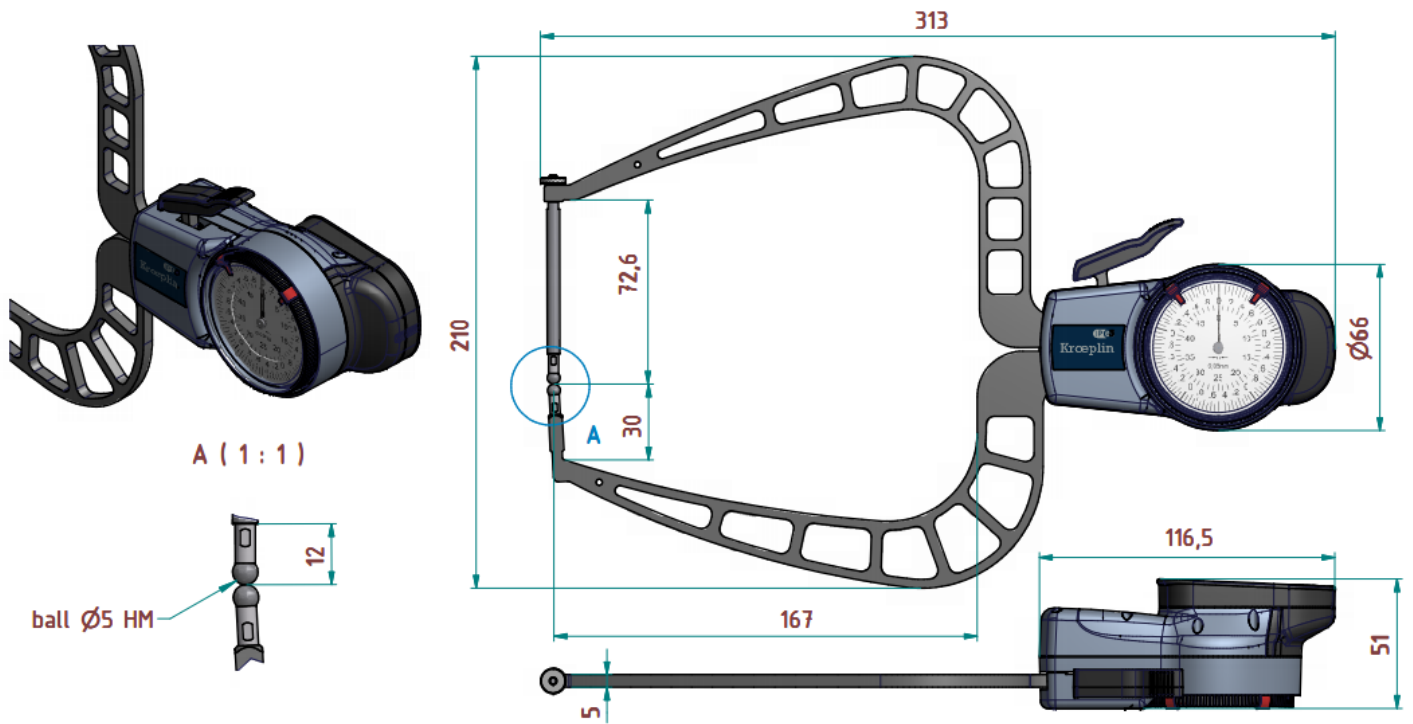




Aparat de masurat grosime, D450B

Properties of the product

Type	D450B
Display MM / INCH	MM
Application	External measurement
Measuring span Mes	50 mm
Measuring range Meb	0 - 50 mm
Range of indication Azb	0 - 50,5 mm
Scale interval Skw	0,05 mm
Max. permissible errors G	0,075 mm
Repeatability limit r	0,05 mm
Measuring force min.	0,8 N
Measuring force max.	1,7 N
Type of measuring contact movable	HM-Ball \varnothing 3 mm
Measuring contact movable Hb	72,6 mm
Type of measuring contact fixed	HM-Ball \varnothing 3 mm
Measuring contact fixed Hf	30 mm
Measuring contact thickness max.	\varnothing 4 mm
Measuring depth max. L	169 mm
Weight	450 g
Reference temperature	20 °C
Operating temperature	10 - 30 °C
Storage temperature	-10 - 50 °C
Protection class	IP65



NOTA: Aceasta fisa a fost realizata sub rezerva modificarilor ulterioare de ordin tehnic sau a erorilor de editare.

Fotografia are caracter informativ.

NOTE: Products and specifications are subject to change without prior notice .Pictures may differ from original.